

MSV/MYV Series

Three/Single-Phase Aluminum Housing Pad Mount Motors



IEC MOTOR

FIRE PUMP MOTOR

GOST MOTOR

NEMA MOTOR

DC MOTOR

EC MOTOR

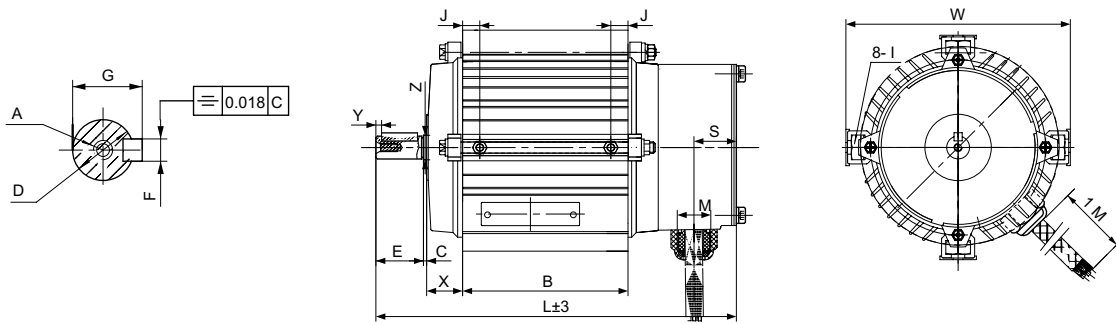
MYV Series Technical Data (at 230V/50Hz)

MODEL	Power	Current	Speed	Eff	Power	Tstart/Tn	Tmax/Tn	Starting Current (A)	Run Capacitor	Noise dB(A)	W.t. (Kg)	Inertia kg*m ²
	(kW)	(A)	(r/min)	(%)	factor (cos φ)	(Times)	(Times)		(μf/V)			
MYV711-2	0.37	2.54	2780	68	0.93	0.5	1.64	9.5	12 μf/450V	75	5.6	0.000330
MYV712-2	0.55	3.45	2800	73	0.95	0.5	1.8	14.5	16 μf/450V	75	6.95	0.000356
MYV713-2	0.75	4.45	2840	75.5	0.97	0.48	1.8	20	25 μf/450V	75	8.15	0.000436
MYV801-2	0.75	4.51	2810	73	0.99	0.45	1.75	19	25 μf/450V	75	8.5	0.000789
MYV802-2	1.1	6.30	2810	77.5	0.98	0.45	1.8	30	35 μf/450V	78	11	0.001174
MYV803-2	1.5	8.48	2820	78.5	0.98	0.34	1.68	40	40 μf/450V	80	12.75	0.001430
MYV90S-2	1.5	8.45	2820	78	0.99	0.33	1.72	35	45 μf/450V	80	13.7	0.001512
MYV90L-2	2.2	12.08	2850	80	0.99	0.29	1.8	61	60 μf/450V	80	16.7	0.001983
MYV100L-2	3	16.7	2860	79	0.99	0.35	1.8	73	80 μf/450V	83	23.1	0.004803
MYV710-4	0.18	1.33	1420	60.5	0.97	0.48	1.65	4	10 μf/450V	65	5.2	0.000538
MYV711-4	0.25	1.70	1410	64.5	0.99	0.5	1.6	5	12 μf/450V	65	5.8	0.000641
MYV712-4	0.37	2.43	1410	67.5	0.98	0.44	1.65	7.5	16 μf/450V	68	6.9	0.000846
MYV713-4	0.55	3.45	1385	70	0.99	0.45	1.47	10.5	20 μf/450V	70	8.25	0.001052
MYV800-4	0.37	2.38	1420	69	0.98	0.45	1.8	9	16 μf/450V	68	8	0.001285
MYV801-4	0.55	3.34	1420	73	0.98	0.45	1.78	13	20 μf/450V	70	9.55	0.001618
MYV802-4	0.75	4.42	1420	74.5	0.99	0.44	1.71	16.5	30 μf/450V	70	10.45	0.002061
MYV90S-4	1.1	6.30	1420	77.5	0.98	0.35	1.75	24	40 μf/450V	73	13.1	0.002500
MYV90L-4	1.5	8.55	1420	79.5	0.96	0.33	1.8	36	45 μf/450V	75	16.45	0.003240
MYV100L1-4	2.2	13.0	1450	79	0.93	0.31	1.8	65	70 μf/450V	78	22.8	0.008045
MYV100L2-4	3	16.8	1450	81	0.96	0.31	1.8	91	90 μf/450V	78	29.2	0.010853
MYV711-6	0.18	1.5	920	55.5	0.97	0.5	1.5	3.5	11 μf/450V	68	6.3	0.000585
MYV712-6	0.25	2.0	930	56	0.98	0.45	1.5	5	16 μf/450V	68	7.6	0.001151
MYV801-6	0.37	2.5	960	66	0.96	0.35	1.6	8.5	20 μf/450V	68	9	0.002232
MYV802-6	0.55	3.5	955	70.5	0.97	0.35	1.6	12	25 μf/450V	70	11.6	0.002903
MYV90S-6	0.75	5.0	905	67	0.98	0.35	1.6	13	35 μf/450V	70	13.5	0.003523
MYV90L-6	1.1	6.6	940	74	0.98	0.35	1.5	25	50 μf/450V	70	16.2	0.004957

MSV Series Technical Data at 50Hz

Model	Power (kW)	Current (A)			Current (A)			Current (A)			Speed (r/min)	Eff (%)	Power factor (cos φ)	Tst/Tn (Times)	Tmax/Tn (Times)	Tmin/Tn (Times)	Ist/In (Times)	Noise dB(A)	W.T (kg)	Inertia kg*m ²
		220V	380V	660V	230V	400V	690V	240V	415V	720V										
MSV711-2	0.37	1.70	0.99	0.57	1.63	0.94	0.54	1.56	0.90	0.52	2830	71.3	0.8	2.8	2.9	2	5.9	64	5.20	0.000314
MSV712-2	0.55	2.52	1.46	0.84	2.41	1.39	0.80	2.31	1.34	0.77	2815	71.6	0.8	2.7	2.7	1.8	6	64	6.00	0.000384
MSV713-2	0.75	3.25	1.88	1.08	3.11	1.79	1.04	2.98	1.72	0.99	2820	73.8	0.82	3.0	3.0	2.0	6.6	65	7.00	0.000476
MSV800-2	0.55	2.38	1.38	0.79	2.28	1.31	0.76	2.18	1.26	0.73	2810	73.1	0.83	2.7	2.5	1.9	5.3	64	7.30	0.000752
MSV801-2	0.75	3.15	1.83	1.05	3.02	1.73	1.01	2.89	1.67	0.96	2830	75.2	0.83	3	2.8	2	6.2	67	8.70	0.000880
MSV802-2	1.1	4.40	2.55	1.47	4.21	2.42	1.40	4.04	2.33	1.35	2840	79	0.83	2.6	3.1	2.6	6.1	67	10.00	0.001072
MSV803-2	1.5	5.70	3.30	1.90	5.46	3.14	1.82	5.23	3.02	1.74	2820	81.2	0.85	3.2	3	2.5	7.2	70	11.20	0.001329
MSV90S-2	1.5	5.73	3.32	1.91	5.48	3.15	1.83	5.25	3.04	1.75	2850	80.8	0.85	2.8	3.3	2.6	7.7	72	12.00	0.001579
MSV90M-2	1.85	7.04	4.08	2.35	6.73	3.87	2.24	6.45	3.73	2.15	2850	82.1	0.84	4.2	3.6	2.9	7.8	72	13.30	0.001846
MSV90L1-2	2.2	8.19	4.74	2.73	7.84	4.51	2.61	7.51	4.34	2.50	2860	82.9	0.85	3.7	3.9	3.3	8.8	72	14.50	0.002123
MSV90L2-2	3	11.1	6.43	3.70	10.6	6.11	3.54	10.2	5.89	3.39	2830	82.4	0.86	4.4	4.2	3.5	8	74	15.00	0.002491
MSV100L1-2	3	10.9	6.32	3.64	10.4	6.00	3.48	10.0	5.78	3.33	2875	83.9	0.86	2.8	3.2	2	8.1	76	20.00	0.003475
MSV100L2-2	4	13.8	7.99	4.60	13.2	7.59	4.40	12.6	7.31	4.22	2870	85.5	0.89	3.2	3.4	2.2	8.8	77	24.00	0.004247
MSV112M-2	4	13.2	7.63	4.40	12.6	7.25	4.20	12.1	6.99	4.03	2870	85.6	0.93	2.6	2.85	1.75	8.1	77	26.00	0.005845
MSV112L-2	5.5	18.0	10.4	6.00	17.2	9.9	5.74	16.5	9.5	5.50	2890	87.1	0.92	3.1	3.3	2	9.4	78	29.30	0.007429
MSV711-4	0.25	1.38	0.80	0.46	1.32	0.76	0.44	1.27	0.73	0.42	1395	65.1	0.73	2	2.15	1.6	4.2	55	5.06	0.000561
MSV712-4	0.37	1.90	1.10	0.63	1.82	1.05	0.61	1.74	1.01	0.58	1390	68.6	0.74	2.25	2.35	1.95	4.6	55	5.96	0.000714
MSV713-4	0.55	2.81	1.63	0.94	2.69	1.54	0.90	2.57	1.49	0.86	1390	71.9	0.72	2.8	2.8	2.4	4.8	57	6.50	0.000920
MSV801-4	0.55	2.74	1.59	0.91	2.62	1.51	0.87	2.51	1.45	0.84	1400	70.9	0.74	2.25	2.55	1.95	4.9	58	8.10	0.001350
MSV802-4	0.75	3.36	1.94	1.12	3.21	1.85	1.07	3.08	1.78	1.03	1390	74.4	0.79	2.5	2.55	2.05	5.4	58	9.10	0.001793
MSV803-4	1.1	4.90	2.84	1.63	4.69	2.69	1.56	4.49	2.60	1.50	1390	74.6	0.79	2.9	2.9	2.4	5.9	60	11.00	0.002236
MSV90S-4	1.1	4.90	2.83	1.63	4.68	2.69	1.56	4.49	2.60	1.50	1400	75.5	0.78	2.9	2.7	2.15	6	61	12.00	0.002443
MSV90L1-4	1.5	6.48	3.75	2.16	6.20	3.56	2.07	5.94	3.44	1.98	1410	79.6	0.76	3.4	3.3	2.7	6.9	61	14.80	0.003152
MSV90L2-4	2.2	9.76	5.65	3.25	9.33	5.37	3.11	8.94	5.17	2.98	1410	78.9	0.75	3.8	2.6	3.2	7.2	63	17.60	0.004002
MSV100L1-4	2.2	8.71	5.05	2.90	8.34	4.79	2.78	7.99	4.62	2.66	1420	82.0	0.81	2.4	2.7	2.15	6.3	64	19.20	0.005977
MSV100L2-4	3	11.5	6.64	3.82	11.0	6.31	3.66	10.5	6.08	3.51	1430	83.7	0.82	2.6	3	2.15	6.8	64	22.50	0.007591
MSV100L3-4	4	15.2	8.80	5.07	14.5	8.36	4.85	13.9	8.06	4.65	1430	84.2	0.82	2.2	2.3	1.5	7	65	27.30	0.009626
MSV112M-4	4	14.9	8.60	4.95	14.2	8.17	4.74	13.6	7.88	4.54	1440	84.7	0.83	2.5	2.9	2.05	7.1	65	29.00	0.012079
MSV112L-4	5.5	20.4	11.8	6.81	19.5	11.2	6.51	18.7	10.8	6.24	1435	85.9	0.82	2.5	2.95	2.2	7.2	68	35.70	0.014229
MSV711-6	0.18	1.11	0.64	0.37	1.06	0.61	0.35	1.02	0.59	0.34	905	63.0	0.67	2.15	2.4	2	3.5	52	5.60	0.000841
MSV712-6	0.25	1.56	0.90	0.52	1.49	0.86	0.50	1.43	0.83	0.48	885	62.6	0.67	2.05	2.3	2.05	3.2	52	6.00	0.000965
MSV713-6	0.37	2.32	1.34	0.77	2.22	1.28	0.74	2.13	1.23	0.71	890	65.4	0.64	2.3	2.5	2.3	3.4	54	6.80	0.001151
MSV801-6	0.37	2.06	1.19	0.69	1.97	1.13	0.66	1.89	1.09	0.63	920	68.1	0.69	1.95	2.25	1.8	3.7	56	8.10	0.001560
MSV802-6	0.55	2.74	1.59	0.91	2.62	1.51	0.87	2.51	1.45	0.84	920	72.5	0.73	2.25	2.45	2.05	4.3	56	9.60	0.002098
MSV803-6	0.75	3.65	2.11	1.22	3.49	2.01	1.16	3.34	1.93	1.11	910	72.9	0.74	2.2	2.4	2.1	4.1	58	10.00	0.002635
MSV90S-6	0.75	3.83	2.22	1.28	3.67	2.11	1.22	3.52	2.03	1.17	920	72.5	0.71	1.8	2.2	1.7	4.1	59	11.30	0.003061
MSV90L1-6	1.1	5.47	3.17	1.82	5.23	3.01	1.74	5.01	2.90	1.67	910	73.5	0.72	1.95	2.25	1.85	4.2	59	14.40	0.004067
MSV90L2-6	1.5	7.12	4.12	2.37	6.81	3.92	2.27	6.53	3.78	2.18	900	74.7	0.74	2.1	2.3	1.9	4.2	60	15.50	0.005147
MSV100L1-6	1.5	6.77	3.92	2.26	6.47	3.72	2.16	6.20	3.59	2.07	935	78.5	0.74	2.05	2.35	1.8	5	61	18.80	0.007913
MSV100L2-6	2.2	9.87	5.71	3.29	9.44	5.43	3.15	9.04	5.23	3.01	950	77	0.76	2.2	2.2	1.3	6	63	19.80	0.011194
MSV112M-6	2.2	9.3	5.38	3.10	8.89	5.11	2.96	8.52	4.93	2.84	925	79.2	0.78	1.9	2.25	1.75	4.7	64	25.00	0.013777
MSV112L-6	3	12.9	7.49	4.31	12.4	7.12	4.13	11.9	6.86	3.95	950	79	0.77	2.2	2.2	1.3	6	64	30.00	0.018246
MSV711-8	0.09	0.97	0.56	0.32	0.93	0.54	0.31	0.89	0.52	0.30	680	44.9	0.54	2.3	2.6	2.2	2.4	50	5.00	0.000717
MSV712-8	0.12	1.15	0.67	0.38	1.10	0.63	0.37	1.06	0.61	0.35	680	51.7	0.53	2.5	2.75	2.5	2.7	50	5.60	0.000841
MSV713-8	0.18	1.51	0.88	0.50	1.45	0.83	0.48	1.39	0.80	0.46	670	55.8	0.56	2.3	2.5	2.4	2.8	52	7.50	0.001026
MSV801-8	0.18	1.24	0.72	0.41	1.18	0.68	0.39	1.13	0.66	0.38	705	64.4	0.59	2.2	2.65	2	3.6	52	9.40	0.002098
MSV802-8	0.25	1.64	0.95	0.55	1.57	0.90	0.52	1.51	0.87	0.50	700	66.3	0.60	2.1	2.5	2.05	3.5	52	10.10	0.002500
MSV90S-8	0.37	2.37	1.37	0.79	2.26	1.30	0.75	2.17	1.25	0.72	690	66.3	0.62	1.55	2	1.5	3.2	56	12.50	0.003061
MSV90L-8	0.55	3.26	1.89	1.09	3.12	1.79	1.04	2.99	1.73	1.00	680	69.0	0.64	1.6	1.95	1.6	3.3	56	15.30	0.004067
MSV100L1-8	0.75	3.88	2.24	1.29	3.71	2.13	1.24	3.55	2.06	1.18	700	75.2	0.68	2.1	2.55	1.95	4.4	59	17.20	0.006043
MSV100L2-8	1.1	5.16	2.99	1.72	4.94	2.84	1.65	4.73	2.74	1.58	685	74.6	0.75	1.8	2.15	1.65	4.1	59	19.50	0.007503
MSV112M-8	1.5	7.24	4.19	2.41	6.93	3.98	2.31	6.64	3.84	2.21	700	78.3	0.69	2.2	2.5	2.1	4.5	61	25.50	0.013491

MSV/MYV Series Motors Overall & Installation Dimensions



MYV Series Motors Overall & Installation Dimensions

Model	Power (kW)	A	B	C	D	E	F	G	Y	Z	W	I	L	X	KK
MYV711-2	0.37	M5 x 10	120	2	φ14	30	5	16	4.5	20	147	M10	240	22	M16
MYV712-2	0.55		140										260		
MYV713-2	0.75		155										275		
MYV710-4	0.18		120										240		
MYV711-4	0.25		120										240		
MYV712-4	0.37		140										260		
MYV713-4	0.55		155										275		
MYV711-6	0.18		140										260		
MYV712-6	0.25		155										275		
MYV801-2	0.75	M6 x 12	120	2	φ19	40	6	21.5	7	25	173	M12	260	30	M16
MYV802-2	1.1		140										280		
MYV803-2	1.5		160										300		
MYV800-4	0.37		120										260		
MYV801-4	0.55		140										280		
MYV802-4	0.75		140										280		
MYV801-6	0.37		140										280		
MYV802-6	0.55		160										300		
MYV90S-2	1.5		M6 x 12										150		
MYV90L1-2	2.2	180		350											
MYV90S0-4	0.75	135		305											
MYV90S-4	1.1	150		320											
MYV90L1-4	1.5	180		350											
MYV90L2-4	2.2	230		400											
MYV90S-6	0.75	150		320											
MYV90L1-6	1.1	195		365											
MYV100L-2	3	M8 x 16		175	8	φ28	60	8	31	4	50	208	M12	360	27
MYV100L1-4	2.2		175	360											

MSV Series Motors Overall & Installation Dimensions

Model	Power (kW)	A	B	C	D	E	F	G	Y	Z	W	I	L	X	KK
MSV711-2	0.37	M5 × 10	120	2	φ14	30	5	16	4.5	20	150	M10	240	22	M16
MSV712-2	0.55		120												
MSV713-2	0.75		140												
MSV711-4	0.25		120												
MSV712-4	0.37		120												
MSV713-4	0.55		140												
MSV711-6	0.18		120												
MSV712-6	0.25		140												
MSV713-6	0.37		155												
MSV801-2	0.75	M6 × 12	120	2	φ19	40	6	21.5	7	25	177	M12	260	30	M16
MSV802-2	1.1		140												
MSV803-2	1.5		160												
MSV801-4	0.55		120												
MSV802-4	0.75		140												
MSV803-4	1.1		160												
MSV801-6	0.37		120												
MSV802-6	0.55		140												
MSV803-6	0.75		160												
MSV90S-2	1.5	M6 × 12	135	8	φ24	50	8	27	4	40	191	M12	305	35	M16
MSV90L1-2	2.2		180												
MSV90L2-2	3		195												
MSV90S-4	1.1		135												
MSV90L1-4	1.5		150												
MSV90L2-4	2.2		195												
MSV90S-6	0.75		135												
MSV90L1-6	1.1		180												
MSV90L2-6	1.5		195												
MSV100L1-2	3	M8 × 16	150	8	φ28	60	8	31	4	50	215	M12	335	27	M20
MSV100L2-2	4		175												
MSV100L1-4	2.2		150												
MSV100L2-4	3		175												
MSV100L3-4	4		210												
MSV100L1-6	1.5		150												
MSV100L2-6	2.2		175												
MSV100L1-8	0.75		130												
MSV100L2-8	1.1		150												
MSV112M-2	4	M8 × 16	165	4	φ28	60	8	31	4	50	228	M12	337	28	M25
MSV112L-2	5.5		190												
MSV112M-4	4		190												
MSV112L-4	5.5		220												
MSV112M-6	2.2		165												
MSV112L-6	3		190												
MSV112M-8	1.5		165												
MSV112L-8	2.2		190												

IEC MOTOR

FIRE PUMP MOTOR

GOST MOTOR

NEMA MOTOR

DC MOTOR

EC MOTOR